

Neo-Dyn® Series 151P Differential Pressure Switch



**Explosion Proof
Hermetically Sealed
(NEMA 4X, 7, 9 and 13)**

DESCRIPTION

Low range adjustable differential pressure switch compact design features efficient Nega-Rate® Belleville disc spring sensing mechanism. Stable set points are not affected by system pressure changes.

Operating Pressure Data

Adjustable Range Number	Adjustable Set Point Range		Deadband (approximate)	Maximum Recommended System Pressure	Proof Pressure
	Increasing	Decreasing			
2	9 To 50 " H ₂ O	5 To 46 " H ₂ O	4" H ₂ O	100 psid	150 psid
4	50 To 100 " H ₂ O	41 To 91 " H ₂ O	9" H ₂ O	100 psid	150 psid
6	100 To 150 " H ₂ O	88 To 138 " H ₂ O	12" H ₂ O	100 psid	150 psid

Standard Specifications

Electrical

Snap action electrical switch listed by Underwriters Laboratories, Inc., Factory Mutual and CSA International

Electrical Connection

½ NPT male conduit connection with PVC insulated 18 AWG, 18" long leads

Pressure Connections

¾"-20 SAE Female

Temperature Range*

Ambient: -30F to +160 F
(-34C to +71 C)

Media: -30F to +160 F
(-34C to +71 C)

* Temperature limits change with O-ring selection. See Electrical Assembly specification sheet for Temperature Class Ratings.

Shipping Weight

Approximately 20 ounces

Ordering Sequence — Select desired option for each category

OPTIONS

Wetted Material

1 Aluminum and stainless steel, Teflon coated polyimide diaphragm, Buna-N O-Rings

Adjustable Range

- 2 5" H₂O decreasing to 50" H₂O increasing
- 4 41" H₂O decreasing to 100" H₂O increasing
- 6 88" H₂O decreasing to 150" H₂O increasing

Electrical Form

- C 11 amp, ¼ hp at 125 or 250 VAC; 5 amp resistive, 3 amp inductive 28 VDC; .5 amp resistive 125 VDC
- CC 11 amp, ¼ hp at 125 or 250 VAC; 5 amp resistive, 3 amp inductive 28 VDC; .5 amp resistive 125 VDC

Enclosure

- 6 Explosion proof, hermetically-sealed electrical assembly, leads factory sealed, P/N 057-0770 (C Form) and P/N 057-0771 (CC Form); **Underwriters' Laboratories, Inc.** listed (File E56677), **CSA International** certified (File LR34146), and **Factory Mutual** approved (File J.I.1R5A9.AE) for Division 1 and 2; Class I, Groups A, B, C and D; Class II, Groups E, F and G Hazardous Locations; NEMA Type 7 and 9.

Miscellaneous

- A Epoxy paint exterior — extra protection for severe environments
- B Viton O-Ring
- C EPR O-Ring
- M Gold electrical contacts for extremely low current applications
- N ATEX approval
- R 72" Electrical free leads
- I ¾" NPT conduit box with terminal strip (Groups C & D only)

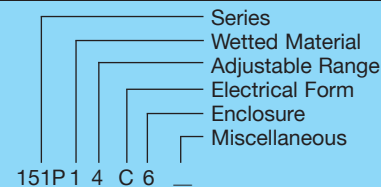
Special (Consult representative or factory)

- Non-catalog set point, deadband and/or proof pressure

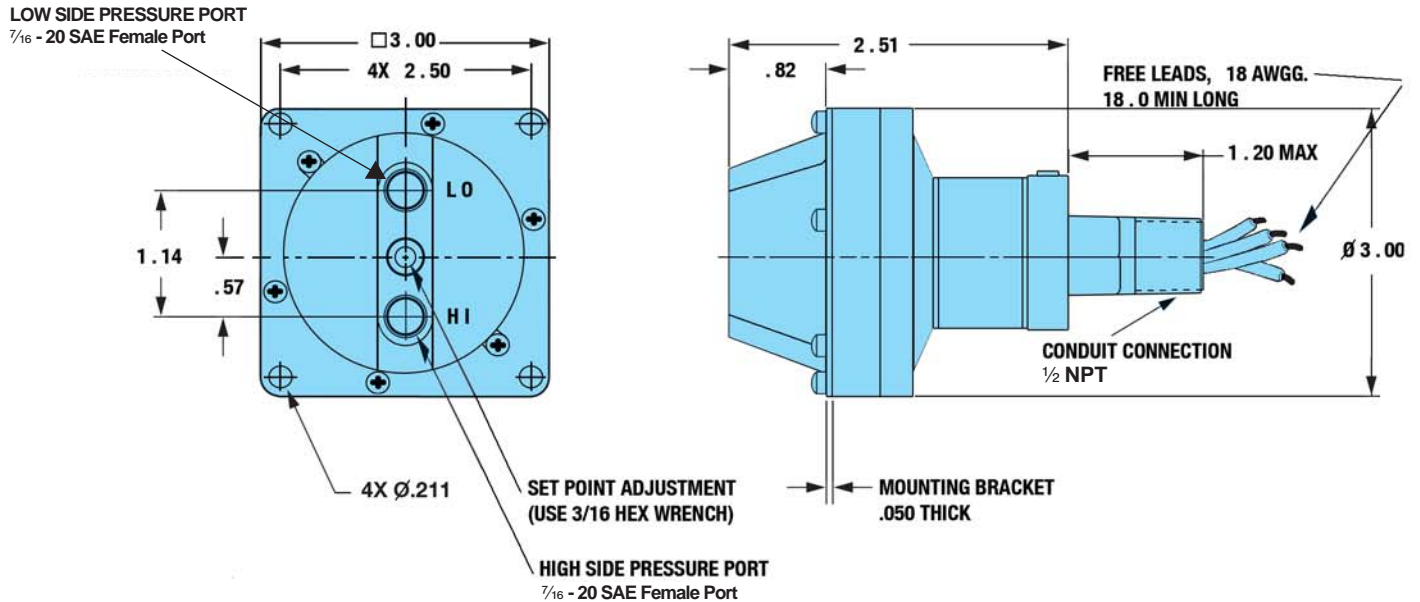
Ordering Procedure

- When factory presetting is desired, stipulate set point, increasing or decreasing
- Insert available option number or letter designation as required

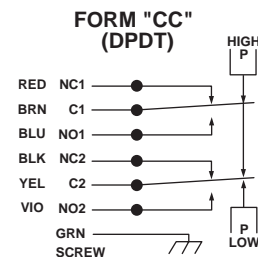
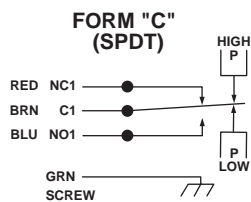
Example



Envelope Dimensions



Electrical Form



Basic Principles of Design

